

Chevrolet Confederate Deluxe Sports Roadster

Assembly Instructions

CREATIVE PARK

<http://www.canon.com/c-park/>



View of completed model * This model was designed for Papercraft and may differ from the original in some respects.

Assembly tip

- Write the number of each part on the reverse side of the part in pencil upon cutting it out, to be sure you can tell which part is which later.
- Before gluing, crease the paper along mountain and valley fold lines. Trace along the folds with a ruler and an exhausted ballpoint pen (out of ink) to get a sharper fold.
- Make sure rounded sections are nice and stiff.

Tools

- Scissors
- Ruler, set square
- Glue (Wood glue or craft glue recommend)
- Exhausted ballpoint pen (out of ink)
- Toothpicks (for use in applying glue)
- Tweezers (useful for handling small parts)
- Pencil

Key to symbols

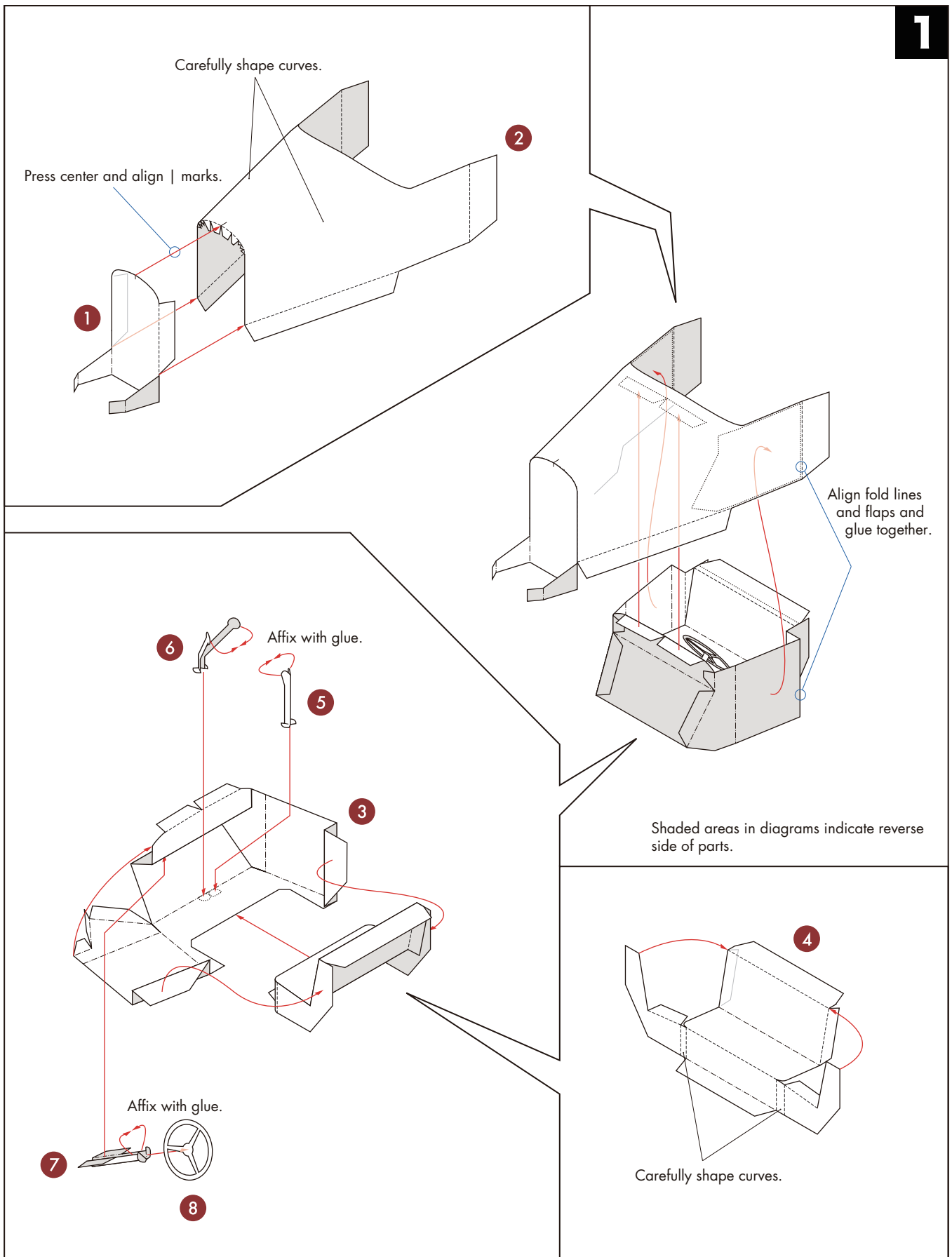
----- Dotted line	Mountain fold		Fold so that the printed pattern faces outside.		Fold so that the printed pattern faces inside.		Dots indicate parts to be glued; dotted lines indicate approximate area for application of glue.
- - - - - Dashed and dotted line	Valley fold					● Red dot	Glue parts with the same number together.
_____	Cut a notch along this line.		Cut along the center of the line.			● Green dot	Glue areas within the same part together.
	Scissors mark			Cut these areas out.		● Blue dot	Glue to the reverse side of the specified part.

■ Assembly Instructions : Six A4 sheets (No. 1 to No. 6)
Build this model with careful reference to the Assembly Instructions.

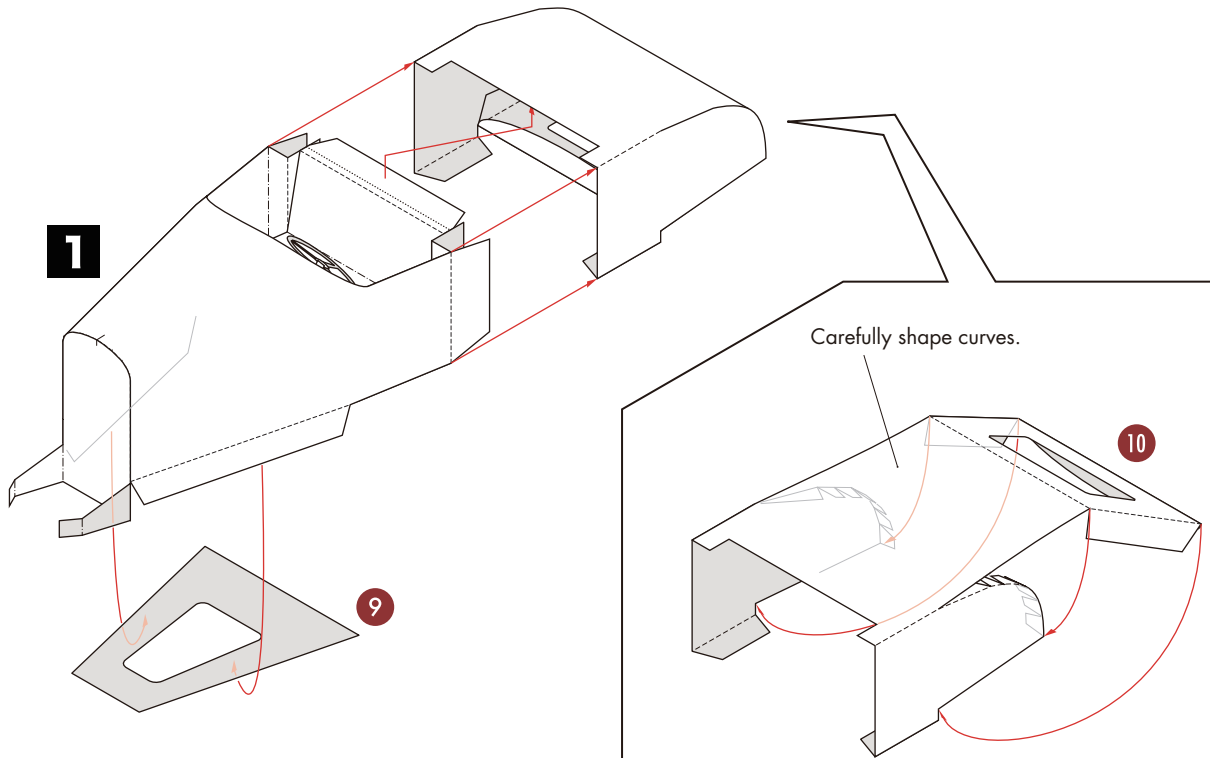


Glue, scissors and other tools may be dangerous to young children so be sure to keep them out of the reach of young children.

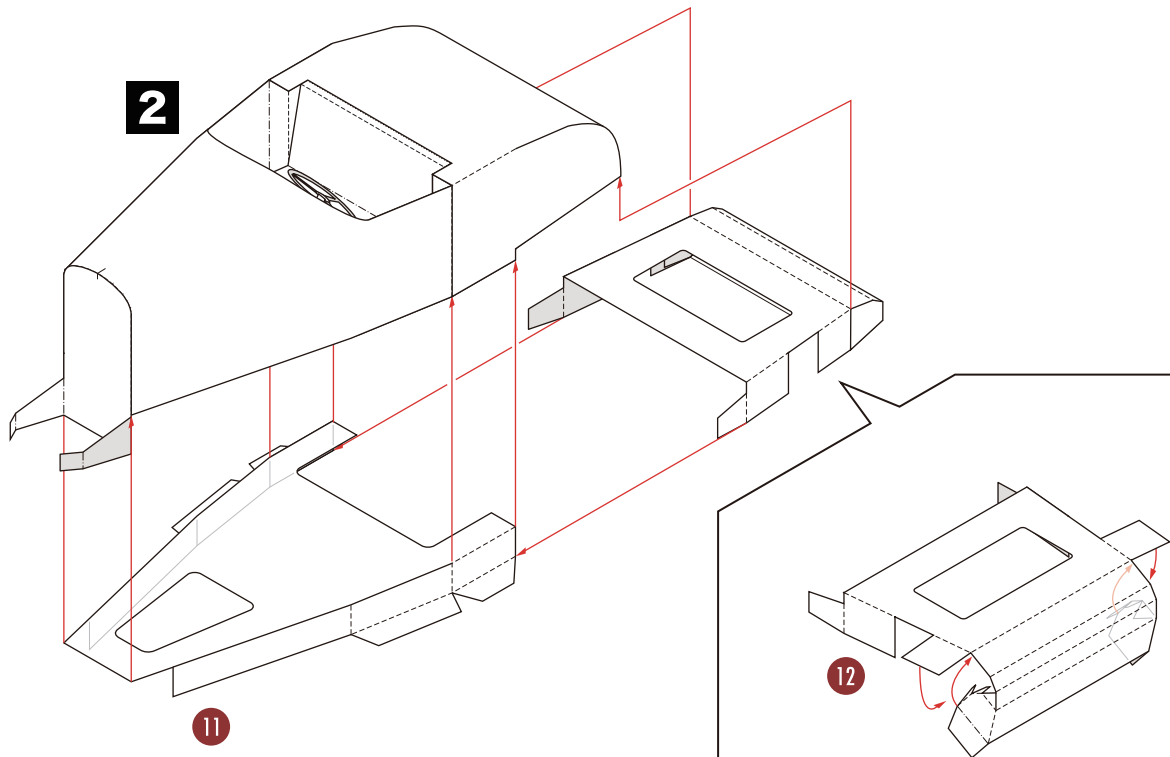
1



2



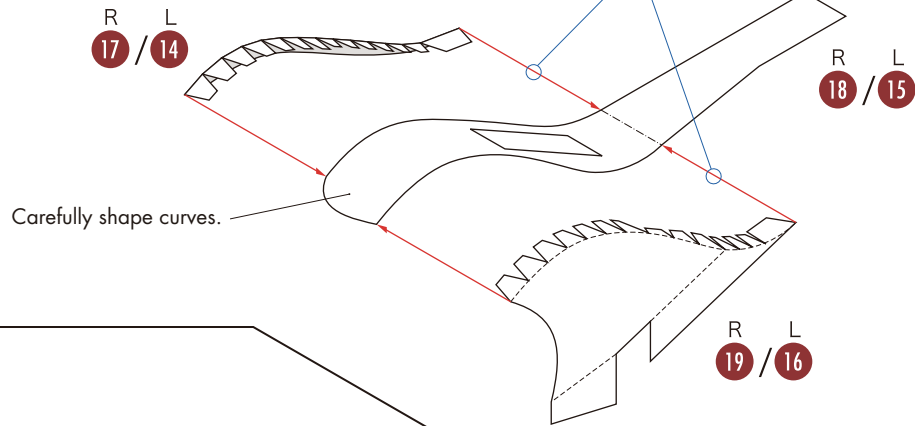
3



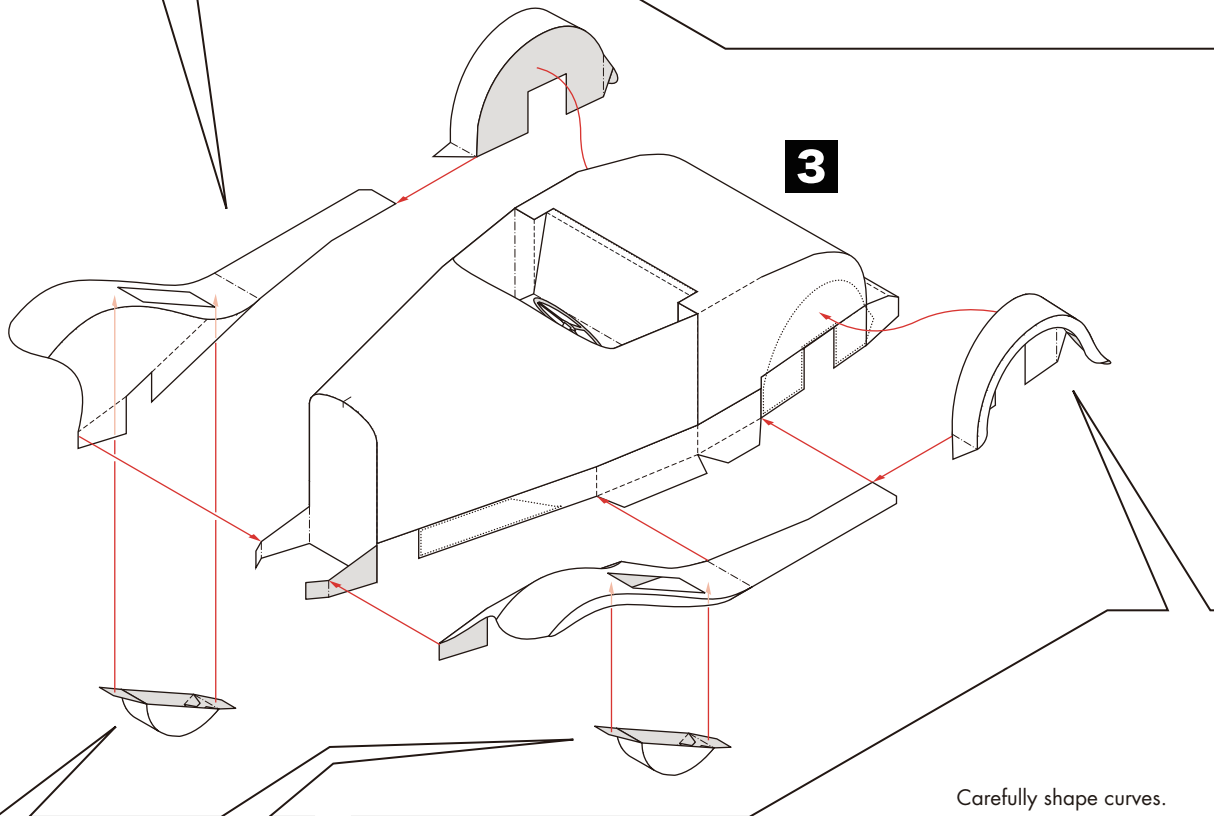
4

*Assemble right (R) and left (L) parts (diagram is R).

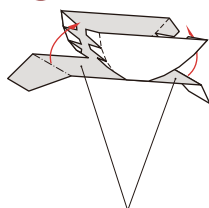
Glue this edge first.



3



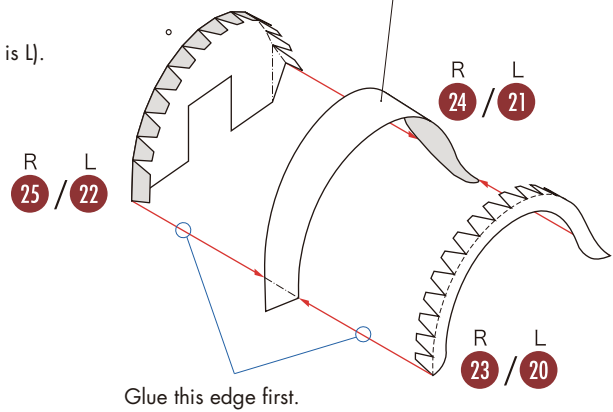
13



Carefully shape curves.

*Assemble right (R) and left (L) parts (diagram is L).

Carefully shape curves.



Glue this edge first.

5

Wiper blade illustration should face front.

Affix with glue.

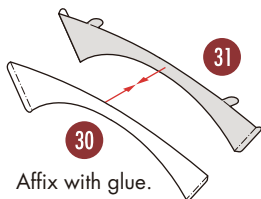
27

Carefully shape curves.

4

28

29



Confirm top/bottom before gluing.

Top

34

32

33

Carefully shape curves.

Confirm top/bottom before gluing.

Top

38

40

39

Affix with glue.

Carefully shape curves.

35

R

L

36 / 37

*Confirm right/left before gluing.

5

6

7

Fold each in two and glue before assembling.

42 Arrow indicates 'up'!

41

Carefully shape curves.

6

Fold each in two and glue before assembling.

44

Arrow indicates 'up'!

Carefully shape curves.

43

8

Affix all four tires, adjusting to be sure they touch the ground.

7

Affix with glue.

45 47 46

R L 62 / 60

57 54 55

R L 61 / 59

* diagram is L

* Assemble right (R) and left (L) parts

R L 53 / 50

R L 51 / 48

Affix with glue.

R L 52 / 49

* diagram is L

Glue in order, **1 - 4**.

58 Joint should be positioned at the top.

4

3

56

2

57

55

54

1

Confirm top/bottom before gluing.

Affix outer surface of tire like a bowl, then wait until glue is dry before gently pulling the tire into shape.

Joint should be positioned at the top.

Arrow indicates 'up'!

Pink flap indicates outer side.

Top ↑